




INDUSTRIAL CCTV SYSTEMS

SOLUTION FOR GLASS PLANT




SYSTEM PROPOSED FOR GLASS APPLICATIONS



HIGH TEMPERATURE CAMERA SYSTEM



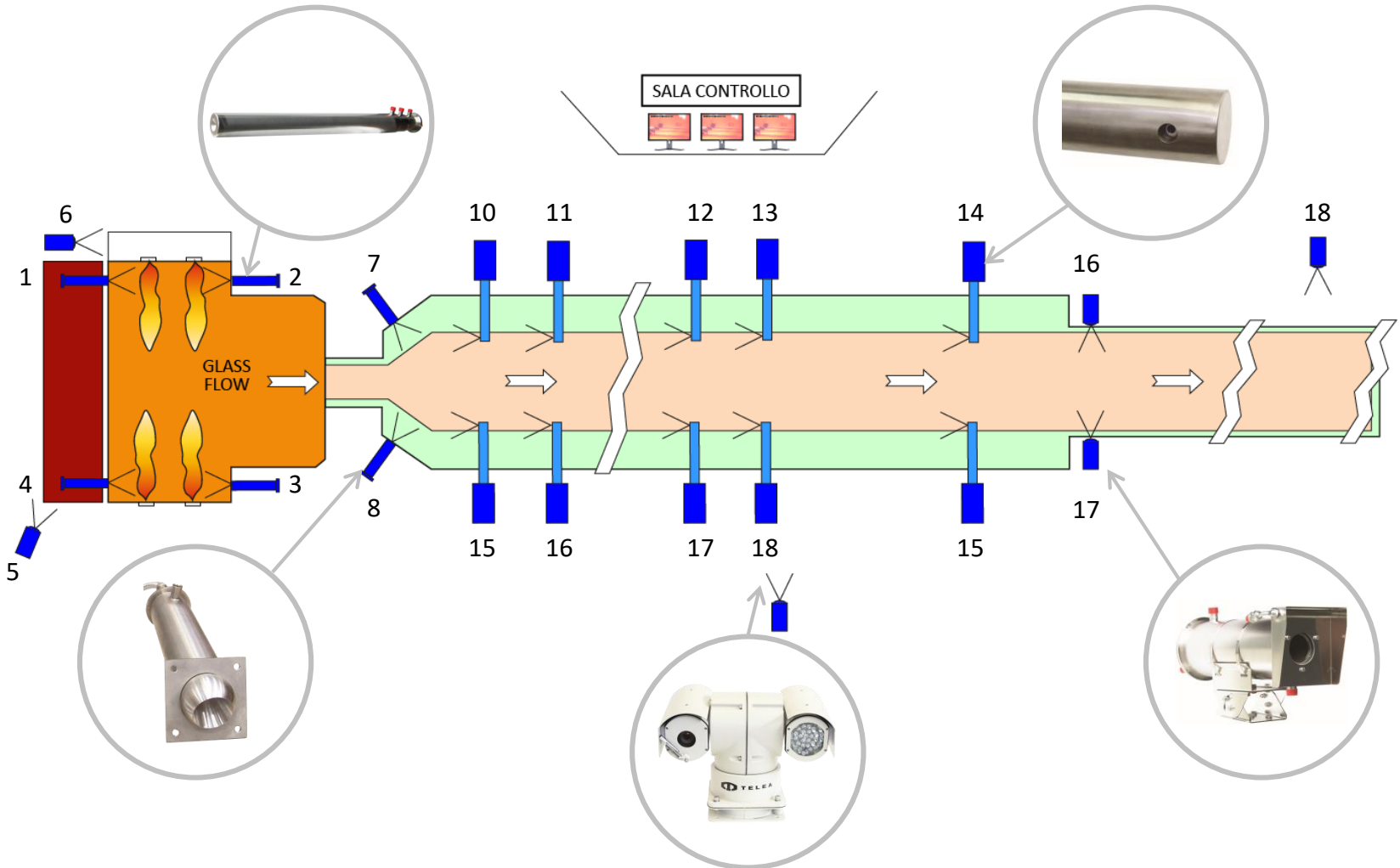
INDUSTRIAL CCTV SYSTEMS



INDUSTRIAL AUDIO COMMUNICATION



APPLICATION ON FLOAT GLASS PLANT



APPLICATION ON FLOAT GLASS PLANT

FURNACE



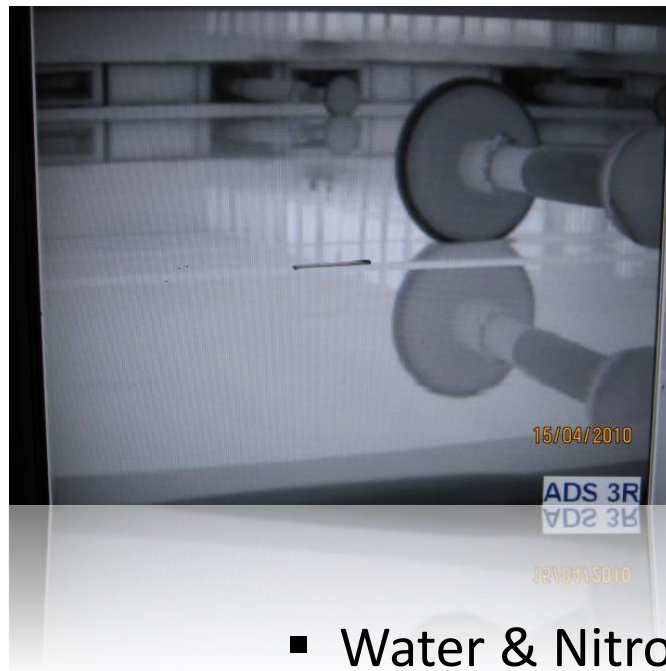
SONDATEC with bracket at
Melting section end



- Diameter: 89.9 mm
- Length 950 mm / 1200 mm

APPLICATION ON FLOAT GLASS PLANT

BATH



- Water & Nitrogen Cooled camera
- Two types of top roll cameras
- 4000 mm inside or wall mounted

APPLICATION ON FLOAT GLASS PLANT

EXIT QUALITY CONTROL



APPLICATION ON FLOAT GLASS PLANT

BATCH PLANT



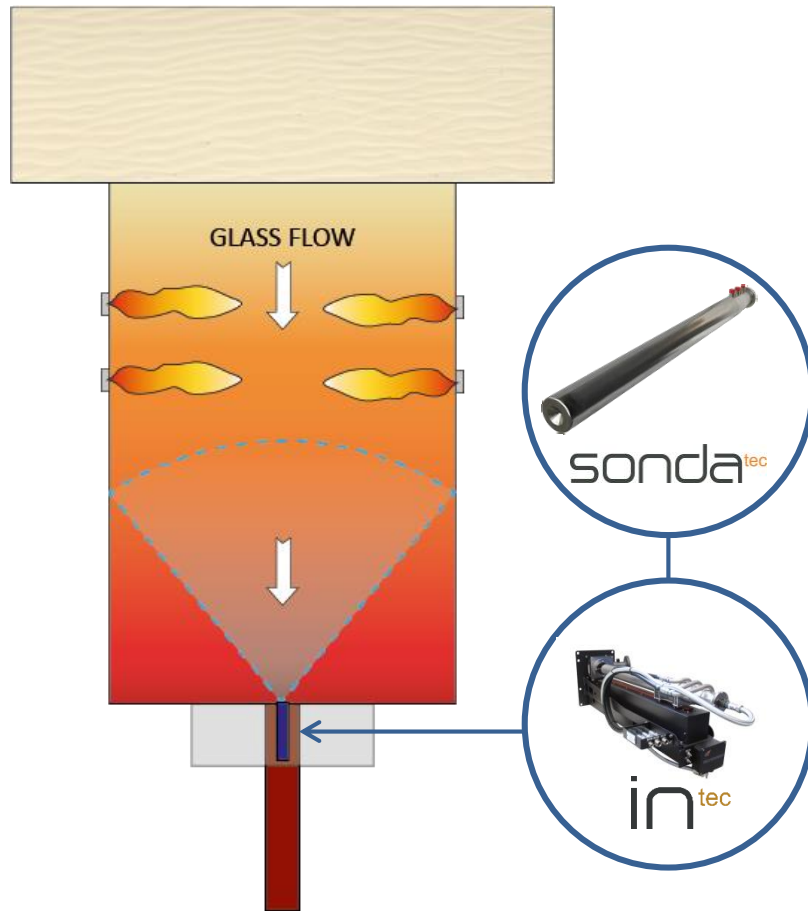
DOV 51

- 360° Pan&Tilt
- Up to 60°C
- High Resolution Zoom Camera
- Full remote control



Can be used for opposite control room surveillance and water break control

APPLICATION ON HOLLOW GLASS PLANT



Sondatec with AXIAL VISION

INDUSTRIAL CCTV SYSTEMS

APPLICATIONS:

- Management control raw material;
- Depots control;
- Truck access and charging area;
- Perimeter control;



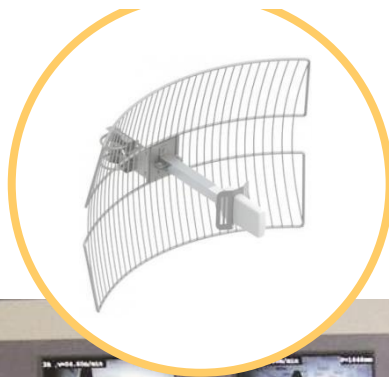
INDUSTRIAL CCTV SYSTEMS

TECHNOLOGIES & PRODUCTS

- WIDE RANGE OF CAMERAS AND ACCESSORIES (ANALOGUE, IP, FIXED OR PTZ);
- SPECIAL HOUSING FOR DUSTY ENVIRONMENT



- WIFI TRANSMISSION FOR LONG DISTANCE CONNECTION
- TRANSMISSION WITH FIBER OPTIC DEVICE



- COMPLETE SOLUTION FOR CONTROL ROOM VIDEO MANAGEMENT



INDUSTRIAL AUDIO COMMUNICATION

APPLICATIONS

- Heavy duty INTERPHONE for process area;
- PAGA – Public Address and General Alarm system for safety;
- Access and gate phone;

INDUSTRIAL AUDIO COMMUNICATION

TECHNOLOGIES & PRODUCTS



- INDUSTRIAL INTERCOM
- Public Address & General Alarm (PAGA)
- INDUSTRIAL TELEPHONY / RADIO COMMUNICATION

MAP OF OUR GLOBAL INSTALLATIONS

High temperature vision system for glass furnace	BDF Industries S.p.A. / Unknow	Paraguay	2018
AZUQUECA - High temperature vision system for glass furnace	GLASS CONSULTING GROUP S.r.l. / Bormioli Rocco	Spain	2018
High temperature camera for stone wool furnace	STM Technologies S.r.l./ unknow	China	2018
INTEC system for hollow glass furnace control	BDF Industries S.p.A./unknown	Oman	2017
INTEC system for hollow glass furnace control	BDF Industries S.p.A./unknown	Italy	2017
INTEC system for hollow glass furnace control	BDF Industries S.p.A./unknown	Nigeria	2017
CCTV system for regenerative melting furnace 300TPD - Glass	FALORNI GIANFRANCO SRL	Italy	2017
INTEC system for hollow glass oven control	GLASS CONSULTING GROUP S.R.L/unknown	Italy	2017
High temperature camera system for Glass Knurl	Sphinx Glass C.O. (S.A.E.)	Egypt	2017
Process CCTV system (muffola e catenaria)	OLIVOTTO Glass Technologies S.p.A. / unknown	Italy	2016
High temperature vision system for glass furnace	BDF Industries S.p.A. / unknown	Angola	2016
High Temperature Camera	BDF Industries	South Korea	2015
Tula – Glass Furnace	BDF Industries S.p.A.	Russia	2014
VICENZA - Melting Glass Furnace	BDF Industries S.p.A.	Italy	2013
GENOVA - Melting Glass Furnace	MCR S.r.l.	Italy	2012
PIACENZA - Melting Glass Furnace	Glass Technologies	Italy	2012
PIACENZA - Melting Glass Furnace	Glass Technologies	Italy	2011
SAN GIORGIO DI NOGARO - Float Glass Plant	Sangalli Group / Sangalli Vetro Porto Nogaro	Italy	2011
SESTO SAN GIOVANNI (MI) - Melting Glass Furnace	Vetrobalsamo	Italy	2011
CUNEO - Float Glass Bath	AGC S.p.a	Italy	2010
PISA - Melting Glass Furnace	Gerresheimer Pisa S.p.A.	Italy	2009
SESTO SAN GIOVANNI - Melting Glass Furnace	Vetrobalsamo	Italy	2009
SPHINX SADAT CITY - Float Glass Plant 600t/day	Ianua / SHIPNX GLASS	Egypt	2009
SAN SALVO - Float glass plant	FloVetro	Italy	2009
SAINTGOBAIN - Melting Furnace 650t/day	Saint Gobain	France	2008
EFG ABU DHABI - Float Glass Plant 600t/day	Ianua / EMIRATES FLOAT GLASS	UAE	2007

From Istanbul to Mexico and India to Egypt you can find Telea Tecnovision's systems installed.

MAP OF OUR GLOBAL INSTALLATIONS

CUNEO - Melting Glass Furnace (Float plant)	Glaverbel	Italy	2006
PISA - Melting Glass Furnace	Kimble	Italy	2006
SAN SALVO - Float Glass Plant	Pilkington	Italy	2006
CHENNAI - Float Glass Plant	Saint Gobain Glass	India	2003
AVILES - Float Bath	Saint Gobain CRISTALERÍA	Spain	2002
MARGHERA - Float Glass Plant	Pilkington	Italy	2002
EGGBOROUGH - Float Glass Plant	Saint Gobain UK	UK	1999
ILCAIRO - Float Glass Plant	Inglen / Egyptian Glass Company	Egypt	1997
JACAREI - Float Glass Plant	Vidrio Saint Gobain / Cebrace - Cristal Plano Ltda.	Brazil	1997

From Istanbul to Mexico and India to Egypt you can find Telea Tecnovision's systems installed.